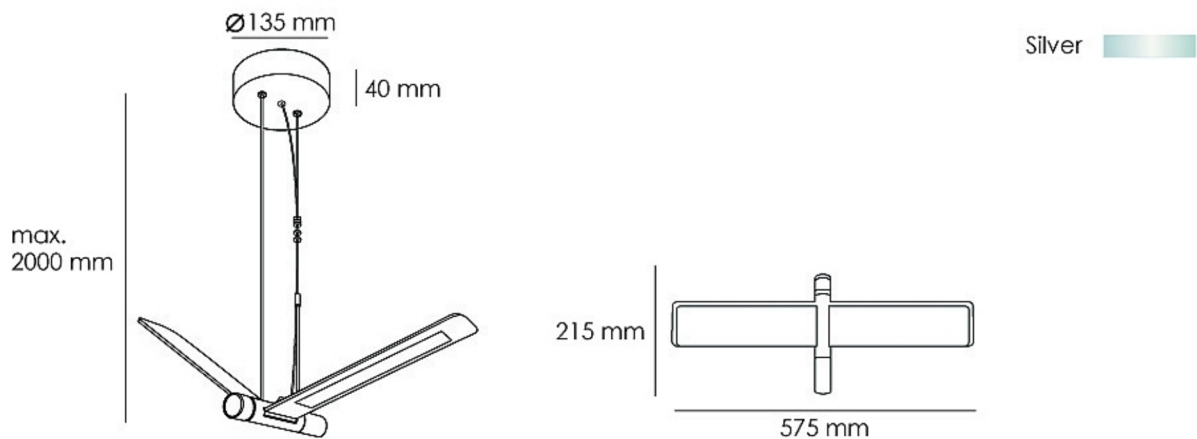




reddot design award
winner 2011



Seagull LED Suspension



BD10_P

| Material | LED Color | Power Input | Switch |
|--|---------------------------|----------------------|-------------------|
| Aluminum Alloy, Die Casting, Stainless Steel | Warm white Cool white* | AC: 100-240V/50-60Hz | Dimmable switch** |
| Certification | Net Weight | Power Consumption | |
| CE E FC | 1.1Kg | 14W(max.) | |

* Products in cool white are only available for special order.

** It has two knobs on the main body, the front one for adjusting brightness and the back for adjusting lighting angles.

LightingDesign RAM, Martina Egerth

Hohlweg 15
D 49179 Ostercappeln

Tel.: +49 163 6037765
Fax: +49 5473 36 999 86

Mail@LightingDesign-RAM.de
www.LightingDesign-RAM.de

UstID DE 279 575 905